

Karakteristika



- Højtydende industriel lufttæppe til lodret eller vandret installation for store industrielle døre. Tilgængelig i 1,5, 2,0, 2,5, 3,0 og 3,5 meter længder. Nemme dokbare moduler kan bruges til store dimensioner.
- Tungt selvbærende beklædningskonstruktion lavet af galvaniseret stålplader, afsluttet i strukturel hvid epoxy-polyester maling RAL9016 som standard. Andre farver er tilgængelige ved anmodning.
- Dobbelt udtag med Coanda effekt for at opnå store og effektive luftstrømme. Anodiseret aluminium udtagslameller, airfoil formet, justerbar fra 0 til 15° i vilkårlig retning.
- Højtydende og lavt støjniveau aksialblæsere, drevet af en ekstern rotor motor enkeltfase 230V. Mulighed for 3-faseret 400V. Ingen brug for vedligeholdelse. EC model samlet med meget lavforbrugs effektivitetsblæsere.
- "P" type med vandvarmet spole "E" type med elektrisk skjold elementer, tre faser med integreret regulering. "A" type uden varme, kun luft.
- Regulation not included. Optional: Advanced PRO control with LCD display and integrated thermostat, door contact, 10m RJ11 cable and remote control. Intelligent Clever Pro Control (automatic, programmable, ModBus for PKC, timer, etc.)

Specifikationer

50Hz

Model	Uopvarmet	
	(m ³ /h)	(m)
MXW 1500 A 400Vx3	4-6	
MXW 1500 A 400Vx3 W/R	4-6	
MXW 2000 A 400Vx3 W/R	4-6	
MXW 2000 A 400Vx3	4-6	
MXW 2500 A 400Vx3 W/R	4-6	
MXW 2500 A 400Vx3	4-6	
MXW 3000 A 400Vx3	4-6	
MXW 3000 A 400Vx3 W/R	4-6	
MXW 3500 A 400Vx3	4-6	
MXW 3500 A 400Vx3 W/R	4-6	
MXW 1500 A W/R	4-6	
MXW 1500 A	4-6	
MXW 2000 A	4-6	
MXW 2000 A W/R	4-6	
MXW 2500 A W/R	4-6	
MXW 2500 A	4-6	
MXW 3000 A W/R	4-6	
MXW 3000 A	4-6	
MXW 3500 A W/R	4-6	
MXW 3500 A	4-6	
MXW EC 1500 A W/R	6-8	
MXW EC 2000 A W/R	6-8	
MXW EC 2500 A W/R	6-8	
MXW EC 3000 A W/R	6-8	
MXW EC 3500 A W/R	6-8	

Elektrisk varme



Model	(m ³ /h)	(kW)	(m)
MXW 1500 E 400Vx3 W/R	4-6		
MXW 2000 E 400Vx3 W/R	4-6		
MXW 2500 E 400Vx3 W/R	4-6		
MXW 3000 E 400Vx3 W/R	4-6		
MXW 3500 E 400Vx3 W/R	4-6		
MXW 1500 E W/R	4-6		
MXW 2000 E W/R	4-6		
MXW 2500 E W/R	4-6		
MXW 3000 E W/R	4-6		
MXW 3500 E W/R	4-6		
MXW EC 1500 E W/R	6-8		
MXW EC 2000 E W/R	6-8		
MXW EC 2500 E W/R	6-8		
MXW EC 3000 E W/R	6-8		
MXW EC 3500 E W/R	6-8		

Vandvarme			
Model	(m ³ /h)	(m)	(kW)
MXW 1500 P86 400Vx3 W/R	-		
MXW 1500 P86 400Vx3	-		
MXW 2000 P86 400Vx3	-		
MXW 2000 P86 400Vx3 W/R	-		
MXW 2500 P86 400Vx3	-		
MXW 2500 P86 400Vx3 W/R	-		
MXW 3000 P86 400Vx3 W/R	-		
MXW 3000 P86 400Vx3	-		
MXW 3500 P86 400Vx3 W/R	-		
MXW 3500 P86 400Vx3	-		
MXW 1500 P86	-		
MXW 1500 P86 W/R	-		
MXW 2000 P86	-		
MXW 2000 P86 W/R	-		
MXW 2500 P86 W/R	-		
MXW 2500 P86	-		
MXW 3000 P86	-		
MXW 3000 P86 W/R	-		
MXW 3500 P86	-		
MXW 3500 P86 W/R	-		
MXW EC 1500 P86 W/R	-		
MXW EC 2000 P86 W/R	-		
MXW EC 2500 P86 W/R	-		
MXW EC 3000 P86 W/R	-		
MXW EC 3500 P86 W/R	-		
MXW 1500 P64 400Vx3	34.09		
MXW 1500 P64 400Vx3 W/R	34.09		



Vandvarme				
Model	(m ³ /h)	(m)	(kW)	(kW)
MXW 2000 P64 400Vx3	50.16			
MXW 2000 P64 400Vx3 W/R	50.16			
MXW 2500 P64 400Vx3 W/R	66.19			
MXW 2500 P64 400Vx3	66.19			
MXW 3000 P64 400Vx3	92.28			
MXW 3000 P64 400Vx3 W/R	92.28			
MXW 3500 P64 400Vx3	97.92			
MXW 3500 P64 400Vx3 W/R	97.92			
MXW 1500 P64	34.09			
MXW 1500 P64 W/R	34,09			
MXW 2000 P64 W/R	50,16			
MXW 2000 P64	50,16			
MXW 2500 P64 W/R	66,19			
MXW 2500 P64	66,19			
MXW 3000 P64 W/R	82,22			
MXW 3000 P64	82,22			
MXW 3500 P64	97,92			
MXW 3500 P64 W/R	97,92			
MXW EC 1500 P64 W/R	39.6			
MXW EC 2000 P64 W/R	58.2			
MXW EC 2500 P64 W/R	75.36			
MXW EC 3000 P64 W/R	92.53			
MXW EC 3500 P64 W/R	110.14			

60Hz

Uopvarmet		
Model	(m ³ /h)	(m)
MXW L 1500 A 60Hz	4-6	
MXW L 1500 A 60Hz W/R	4-6	
MXW L 2000 A 60Hz	4-6	
MXW L 2000 A 60Hz W/R	4-6	
MXW L 2500 A 60Hz W/R	4-6	
MXW L 2500 A 60Hz	4-6	
MXW L 3000 A 60Hz W/R	4-6	
MXW L 3000 A 60Hz	4-6	
MXW L 3500 A 60Hz	4-6	
MXW L 3500 A 60Hz W/R	4-6	
MXW EC 1500 A W/R	6-8	
MXW EC 2000 A W/R	6-8	
MXW EC 2500 A W/R	6-8	
MXW EC 3000 A W/R	6-8	
MXW EC 3500 A W/R	6-8	

Elektrisk varme



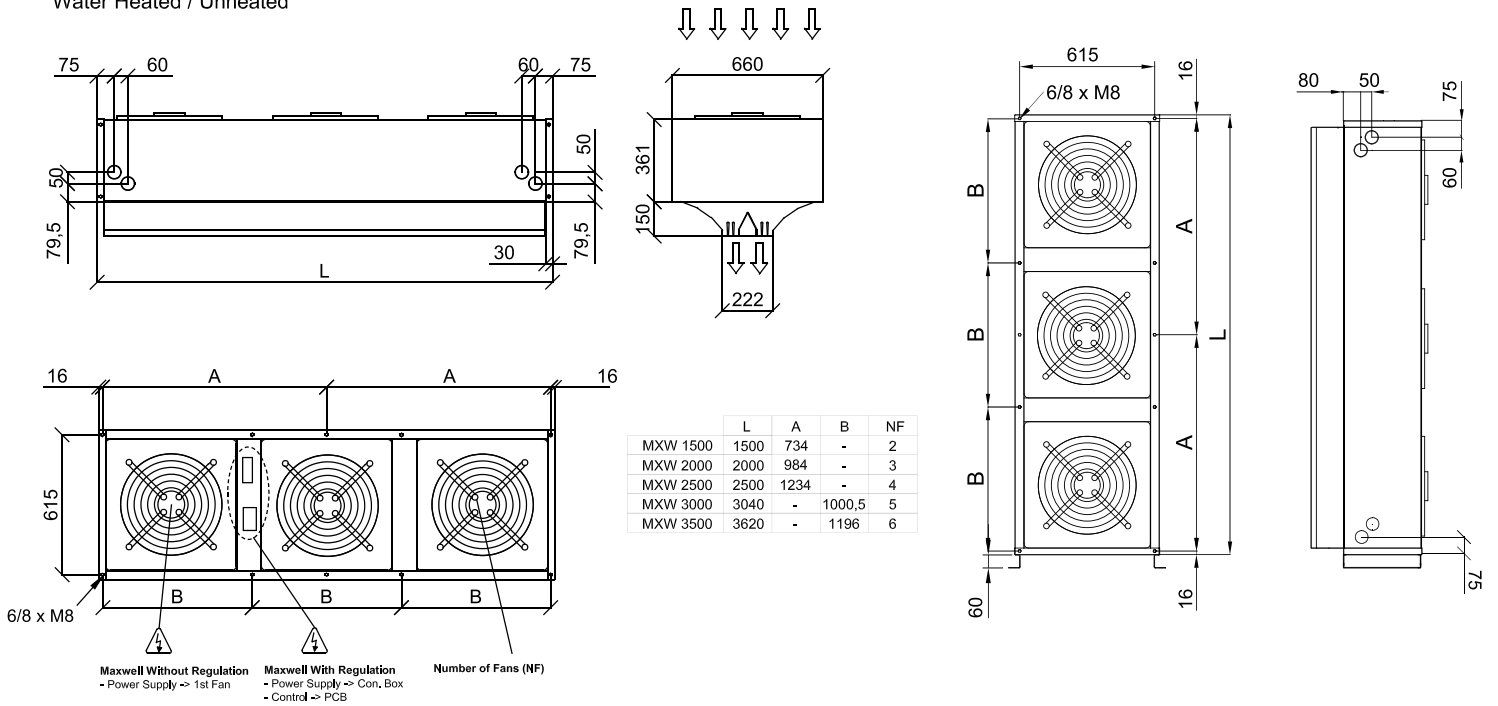
Model	(m ³ /h)	(kW)	(m)
MXW EC 1500 E W/R	6-8		
MXW EC 2000 E W/R	6-8		
MXW EC 2500 E W/R	6-8		
MXW EC 3000 E W/R	6-8		
MXW EC 3500 E W/R	6-8		

Model	(m ³ /h)	Vandvarme		
		(m)	(kW)	(kW)
MXW EC 1500 P86 W/R	-			
MXW EC 2000 P86 W/R	-			
MXW EC 2500 P86 W/R	-			
MXW EC 3000 P86 W/R	-			
MXW EC 3500 P86 W/R	-			
MXW EC 1500 P64 W/R	39.6			
MXW EC 2000 P64 W/R	58.2			
MXW EC 2500 P64 W/R	75.36			
MXW EC 3000 P64 W/R	92.53			
MXW EC 3500 P64 W/R	110.14			



Dimensioner

Water Heated / Unheated



Electrical Heated

