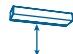





## Technical Features




  
Range  
Up to 4,2 m

  
Heating types  
Heat Pump  
Gas R32 / R410a


  
Casing  
Galvanised Steel  
Self-Supporting


  
Airflow / Length  
1640 - 5840 m<sup>3</sup>/h  
1m to 3m

  
Heating capacity  
7,9 - 27 kW

  
Grille type  
Perforated Ø5

  
Fans  
Centrifugal  
5-speed

  
Control  
Plug&Play Advanced PRO  
+ IR remote control  
(Optional Clever Pro)

  
Outlet vanes  
Aluminium, airfoil type  
Adjustable 0-15° each side

RAL 9016 standard  Stainless steel  Other colors on request 

DAM is an air curtain from the standard range that stands out for its versatility and the design of its front part. The classic suction grille has been efficiently replaced by a front panel that can be customised with logos, signage, graphics or images providing a modern and clean view of the equipment. The double air inlet areas are located behind the front panel avoiding intensive maintenance.

In heating, it reduces consumption and CO2 emissions by up to 70%.

Prepared to connect to LG Inverter heat pump (R32/R410) with direct expansion valve, not included, to be purchased by the customer.

Sensors pre-installed in the direct expansion coil. As an option, under request, it can also work in cold mode (refrigeration), with optional condensate water pump.

Efficient EC centrifugal fans with low consumption, double inlet with external rotor motor and low noise level. Internal pre-filter included.

Advanced Plug&Play control. Includes: Advanced PRO control with LCD display and integrated thermostat, door contact, 7m RJ11 cable and remote control.

**Includes DX Interface Kit PAHCMRA000 adapted for the air curtain, and LG PREMTB001 programmable control.**

### AIR CURTAIN SPECIFICATIONS

Model	Airflow	Ventilation power 230V-50/60Hz	Ventilation current 230V-50/60Hz	Outdoor unit (*)	Outdoor unit (*)	Pipes gas-liquid	Noise Level (5 m)	Weight
	m <sup>3</sup> /h	kW	A	230Vx1	400Vx3	inch	dB(A)	kg
DAM ECM 1000 DX8-LG	1640	0,142	1,24	UUC1 U40	-	5/8" - 3/8"	56	43
DAM ECM 1500 DX11-LG	2460	0,213	1,86	UUD1 U30	UUD3 U30	5/8" - 3/8"	57	64
DAM ECM 2000 DX16-LG	3280	0,284	2,48	UUD1 U30	UUD3 U30	5/8" - 3/8"	58	81
DAM ECM 2500 DX22-LG	4100	0,355	3,10	-	UU70W U34	1"1/8 - 3/8"	59	89
DAM ECM 3000 DX27-LG	4920	0,426	3,72	-	UU85W U74	7/8" - 1/2"	60	103
DAM ECG 1000 DX10-LG	2190	0,213	1,86	UUD1 U30	UUD3 U30	5/8" - 3/8"	61	48
DAM ECG 1500 DX15-LG	2920	0,284	2,48	UUD1 U30	UUD3 U30	5/8" - 3/8"	62	70
DAM ECG 2000 DX20-LG	4380	0,426	3,72	-	UU70W U34	1"1/8 - 3/8"	63	91
DAM ECG 2000 DX22-LG	4380	0,426	3,72	-	UU70W U34	1"1/8 - 3/8"	63	91
DAM ECG 2500 DX22-LG	5110	0,497	4,34	-	UU70W U34	1"1/8 - 3/8"	64	97
DAM ECG 2500 DX27-LG	5110	0,497	4,34	-	UU85W U74	7/8" - 1/2"	64	97
DAM ECG 3000 DX27-LG	5840	0,568	4,96	-	UU85W U74	7/8" - 1/2"	65	111

(\*) Includes direct expansion valve.

### OUTDOOR UNIT SPECIFICATIONS

LG inverter model Outdoor Unit	Heating capacity	COP or SCOP	Cooling capacity	EER or SEER	Power supply	Pipes gas-liquid	Pipes minimum - maximum length	Pipes maximum height
	kW		kW			inch	m	m
UUC1 U40	7,9	4,8	6,8	8,5	230Vx1	5/8" - 3/8"	5 - 50	30
UUD1 U30 (36)	10,8	4,5	9,5	7,6	230Vx1	5/8" - 3/8"	5 - 85	30
UUD1 U30 (42)	13,5	4,5	12,1	7,4	230Vx1	5/8" - 3/8"	5 - 85	30
UUD1 U30 (48)	15,5	4,5	13,4	6,8	230Vx1	5/8" - 3/8"	5 - 85	30
UUD1 U30 (60)	17,5	4,5	15	6,6	230Vx1	5/8" - 3/8"	5 - 85	30
UUD3 U30 (36)	10,8	4,5	9,5	7,6	400Vx3	5/8" - 3/8"	5 - 85	30
UUD3 U30 (42)	13,5	4,5	12,1	7,4	400Vx3	5/8" - 3/8"	5 - 85	30
UUD3 U30 (48)	15,5	4,5	13,4	6,8	400Vx3	5/8" - 3/8"	5 - 85	30
UUD3 U30 (60)	17,5	4,5	15	6,6	400Vx3	5/8" - 3/8"	5 - 85	30
UU70W U34	22,4	3,5	19	2,84	400Vx3	1"1/8 - 3/8"	5 - 75	30
UU85W U74	27	3,25	23	2,81	400Vx3	7/8" - 1/2"	5 - 75	30

Energy efficiency: SCOP/SEER seasonal ≤12kW, COP/EER >12kW.

Outdoor unit capacities depending on standard conditions: heating 20°CDB indoor / 7°CDB and 6°CWB outdoor, cooling 27°CDB and 19°CWB indoor / 35°CDB outdoor.

When adverse weather conditions, the outdoor unit capacity can decrease. It is recommendable to oversize the units.

(\*) Outdoor units with R32 gas: UUD1 U30. Outdoor units with R410A gas: UU70W U34 and UU85W U74.



## Technical Features



RAL 9016  
standard



Stainless  
steel



Other colors  
on request



Range  
Up to 4,2 m



Heating types  
Heat Pump  
Gas R32 / R410a



Casing  
Galvanised Steel  
Self-Supporting



Airflow / Length  
1640 - 5840 m<sup>3</sup>/h  
1m to 3m



Heating capacity  
8 - 34 kW



Grille type  
Perforated Ø5



Fans  
Centrifugal  
5-speed



Control  
Plug&Play Advanced PRO  
+ IR remote control  
(Optional Clever Pro)



Outlet vanes  
Aluminium, airfoil type  
Adjustable 0-15° each side

DAM is an air curtain from the standard range that stands out for its versatility and the design of its front part. The classic suction grille has been efficiently replaced by a front panel that can be customised with logos, signage, graphics or images providing a modern and clean view of the equipment. The double air inlet areas are located behind the front panel avoiding intensive maintenance.

In heating, it reduces consumption and CO2 emissions by up to 70%.

Prepared to connect to LG VRF outdoor heat pump unit (R32/R410) with direct expansion valve, not included, to be purchased by the customer.

Sensors pre-installed in the direct expansion coil. As an option, under request, it can also work in cold mode (refrigeration), with optional condensate water pump. Efficient EC centrifugal fans with low consumption, double inlet with external rotor motor and low noise level. Internal pre-filter included.

Advanced Plug&Play control. Includes: Advanced PRO control with LCD display and integrated thermostat, door contact, 7m RJ11 cable and remote control.

**Requires LG VRF Interface KIT adapted for air curtain and programmable control, please consult.**

### AIR CURTAIN SPECIFICATIONS

Model	Airflow	Ventilation power 230V-50/60Hz	Ventilation current 230V-50/60Hz	Expansion valve	Pipes gas-liquid	Noise Level (5 m)	Weight
	m <sup>3</sup> /h	kW	A		inch	dB(A)	
DAM ECM 1000 VRF8-LG	1640	0,142	1,24	PRLK048A0	5/8" - 3/8"	56	43
DAM ECM 1500 VRF12-LG	2460	0,213	1,86	PRLK048A0	5/8" - 3/8"	57	64
DAM ECM 2000 VRF16-LG	3280	0,284	2,48	PRLK048A0	5/8" - 3/8"	58	81
DAM ECM 2000 VRF19-LG	3280	0,284	2,48	PRLK048A0	5/8" - 3/8"	58	81
DAM ECM 2500 VRF21-LG	4100	0,355	3,10	PRLK048A0	1"1/8 - 3/8"	59	89
DAM ECM 2500 VRF24-LG	4100	0,355	3,10	PRLK048A0	1"1/8 - 3/8"	59	89
DAM ECM 3000 VRF26-LG	4920	0,426	3,72	PRLK048A0	7/8" - 1/2"	60	103
DAM ECG 1000 VRF10-LG	2190	0,213	1,86	PRLK048A0	5/8" - 3/8"	61	48
DAM ECG 1500 VRF15-LG	2920	0,284	2,48	PRLK048A0	5/8" - 3/8"	62	70
DAM ECG 2000 VRF20-LG	4380	0,426	3,72	PRLK048A0	1"1/8 - 3/8"	63	91
DAM ECG 2000 VRF24-LG	4380	0,426	3,72	PRLK048A0	1"1/8 - 3/8"	63	91
DAM ECG 2500 VRF25-LG	5110	0,497	4,34	PRLK048A0	1" 1/8 - 3/8"	64	97
DAM ECG 2500 VRF29-LG	5110	0,497	4,34	PRLK048A0	7/8" - 1/2"	64	97
DAM ECG 3000 VRF29-LG	5840	0,568	4,96	PRLK048A0	7/8" - 1/2"	65	111
DAM ECG 3000 VRF34-LG	5840	0,568	4,96	PRLK096A0	7/8" - 1/2"	65	111

When adverse weather conditions, the outdoor unit capacity can decrease. It is recommendable to oversize the units.

The VRF-compatible models are as follows:

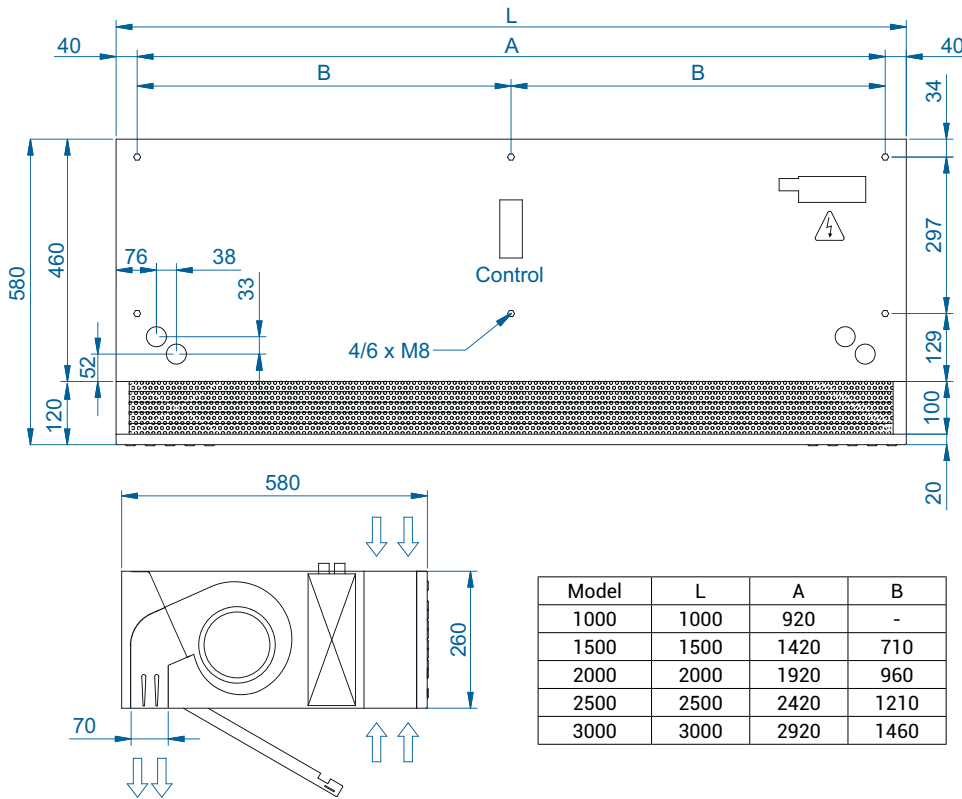
- Multi V S
- Multi V 5
- Multi V IV



Selection program



## Dimensions



CAD drawings, BIM files, installation manuals and other documents



## Accessories

### Supports and installation



Wall rail support  
SPWR



Silentblock supports  
SPANG-SIL / SLB



Gripple hanger  
SPCT

### Control



ADVANCED PRO  
✓ Included



IR Control  
✓ Included



RJ11 Cable  
✓ Included



CLEVER PRO

### Sensors and valves



Magnetic door contact  
DC  
✓ Included



Mechanical door contact  
DC



Condensate water pump  
for DX air curtains